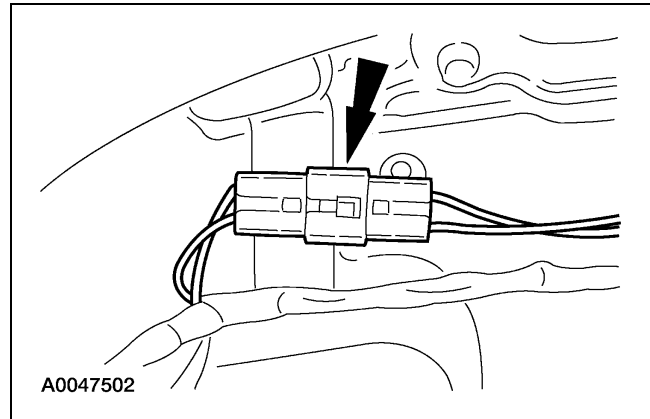


REMOVAL AND INSTALLATION

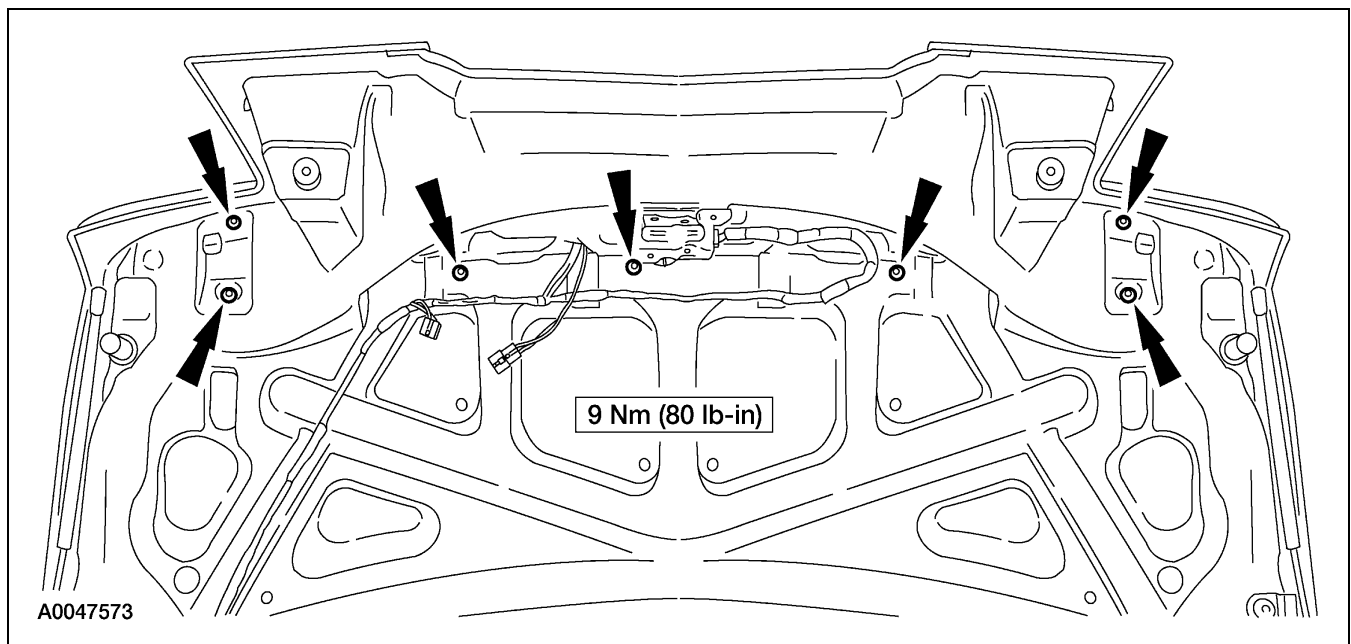
Rear Spoiler

Removal and Installation

1. Open the luggage compartment lid.
2. Disconnect the high mounted stoplamp electrical connector.



3. Remove the screws and the nuts.



4. **⚠ CAUTION: Use care not damage the pin-type retainers and pin-type retainer seals during removal.**

Release the spoiler from the two pin-type retainers in an upward motion.

5. To install, reverse the removal procedure.
 - Inspect the pin-type retainer seals. Install new pin-type retainer seals if damaged.

